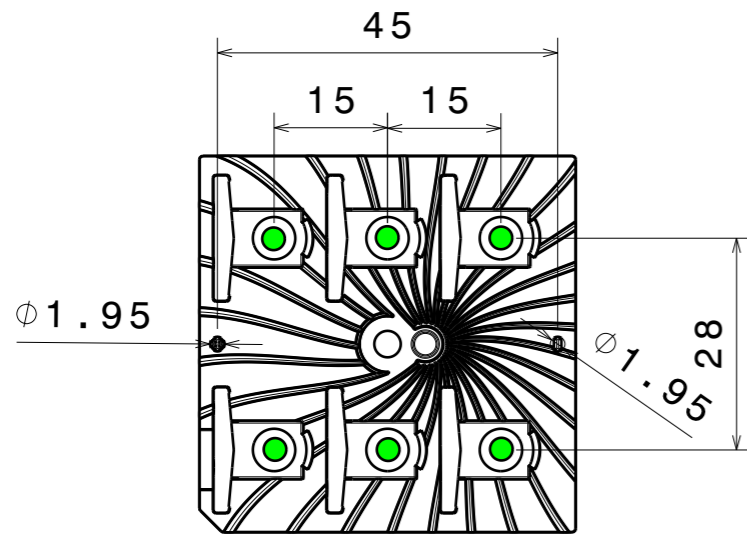
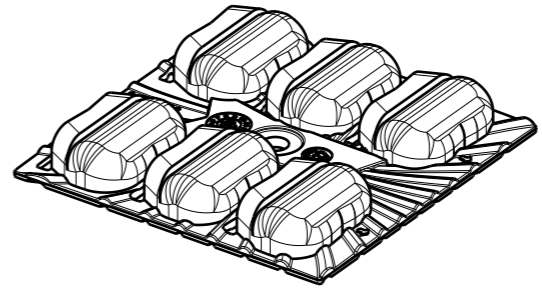


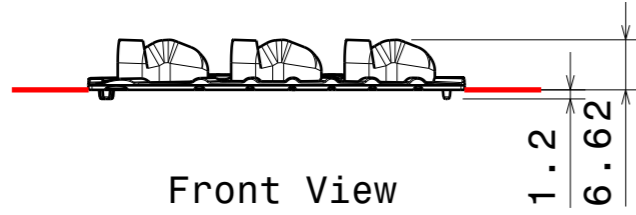
REV	DATE
001	05.05.2026



Bottom View  
Scale: 1:1



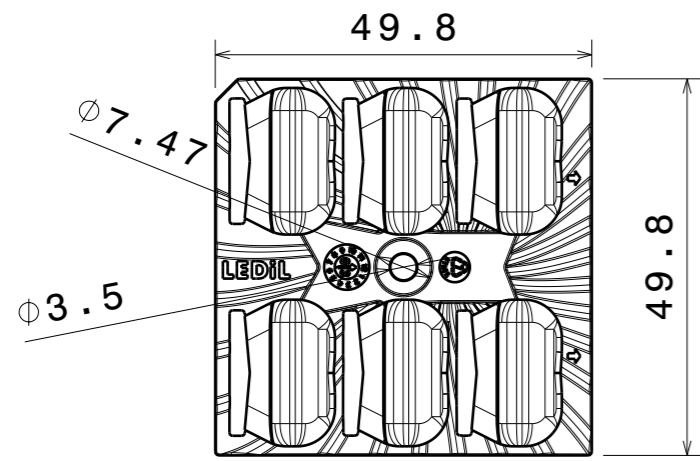
Isometric View  
Scale: 1:1



Front View  
Scale: 1:1



Right View  
Scale: 1:1



Top View  
Scale: 1:1

**Notes**

- PCB or heatsink level.
- LED location
- Ensure LED fitting from a product specific 3D model available from [www.ledil.com](http://www.ledil.com)
- For more details about installation please see LEDiL Installation Guide on [www.ledil.com](http://www.ledil.com)

PART	MATERIAL	COLOR
L20125_STRADA-2X3-5050-SCL_MECHMODEL	PMMA	clear

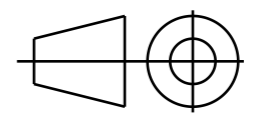
**MECHANICAL DRAWING**

PRODUCT **STRADA-2X3**



Plastic moulding general tolerances according to DIN 16901-130 and applies if not otherwise shown in the drawing.  
Silicone moulding general tolerances according to ISO 3302-1 Class M3 and applies if not otherwise shown in the drawing.

FIRST ANGLE PROJECTION:



This drawing is the property of LEDiL Oy. It may not be copied or otherwise distributed without prior written permission from LEDiL Oy.

SCALE	1:1	WEIGHT	-	A3	SHEET 1/1
-------	-----	--------	---	----	-----------